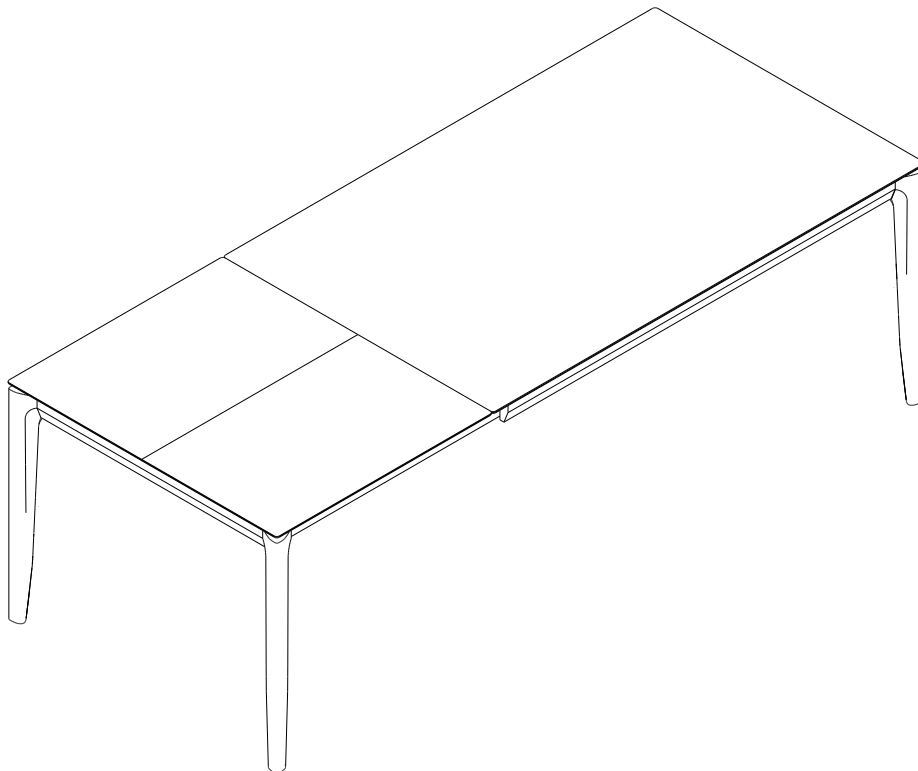


# Ethnicraft

## ASSEMBLY INSTRUCTIONS FOR DINING TABLE INSTALLATION

### BOK EXTENDABLE DINING TABLE

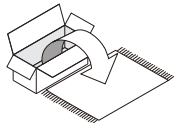
CODE	DESCRIPTION
<b>NATURAL OILED FINISH</b>	
51487	OAK BOK EXTENDABLE DINING TABLE 120-180/90/76
51502	OAK BOK EXTENDABLE DINING TABLE 140-220/90/76
51503	OAK BOK EXTENDABLE DINING TABLE 160-240/90/76
51504	OAK BOK EXTENDABLE DINING TABLE 180-280/100/76
51494	OAK BOK EXTENDABLE DINING TABLE 200-300/100/76
<b>BLACK FINISH</b>	
51584	OAK BOK BLACK EXTENDABLE DINING TABLE 120-180/90/76
51542	OAK BOK BLACK EXTENDABLE DINING TABLE 140-220/90/76
51543	OAK BOK BLACK EXTENDABLE DINING TABLE 160-240/90/76
51544	OAK BOK BLACK EXTENDABLE DINING TABLE 180-280/100/76
51541	OAK BOK BLACK EXTENDABLE DINING TABLE 200-300/100/76
<b>BROWN FINISH</b>	
51583	OAK BOK BROWN EXTENDABLE DINING TABLE 120-180/90/76
51552	OAK BOK BROWN EXTENDABLE DINING TABLE 140-220/90/76
51553	OAK BOK BROWN EXTENDABLE DINING TABLE 160-240/90/76
51554	OAK BOK BROWN EXTENDABLE DINING TABLE 180-280/100/76
51540	OAK BOK BROWN EXTENDABLE DINING TABLE 200-300/100/76
<b>NATURAL VARNISHED FINISH</b>	
55206	OAK BOK EXTENDABLE DINING TABLE - VARNISHED 120-180/90/76
55207	OAK BOK EXTENDABLE DINING TABLE - VARNISHED 140-220/90/76
55208	OAK BOK EXTENDABLE DINING TABLE - VARNISHED 160-240/90/76
55209	OAK BOK EXTENDABLE DINING TABLE - VARNISHED 180-280/100/76
55210	OAK BOK EXTENDABLE DINING TABLE - VARNISHED 200-300/100/76



## BOK EXTENDABLE DINING TABLE ASSEMBLY INSTRUCTIONS FOR DINING TABLE INSTALLATION



### NOTE



- CAREFULLY OPEN THE CARTON,
- REMOVE CONTENTS AND LAY OUT ON CARPET OR THE PACKAGING CARTON BOX OR OTHER PROTECTIVE SURFACE TO AVOID DAMAGE.
- CHECK PACKAGE CONTENTS TO ASSURE ALL THE NECESSARY HARDWARE AND PARTS ARE RECEIVED UNDAMAGED.
- DO NOT USE DAMAGE OR DEFECTIVE PARTS/HARDWARE.
- CONTACT ETHNICRAFT FOR ANY MISSING PART AND/OR HARDWARE.

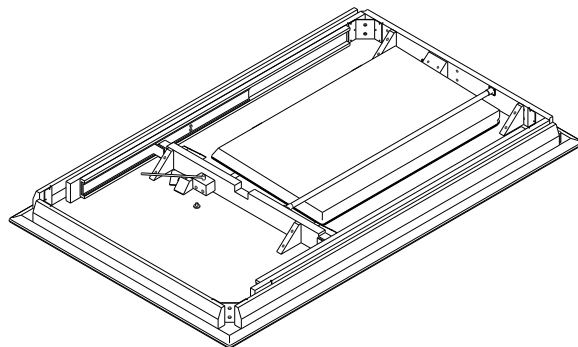


- READ ASSEMBLY INSTRUCTIONS BEFORE INSTALLATION, CAREFULLY FOLLOWING THE DIRECTIONS GIVEN.
- SEEK PROFESSIONAL ADVICE IF YOU ARE NOT FAMILIAR WITH DIRECTIONS OF THIS INSTALLATION OR IF YOU HAVE ANY DOUBTS ABOUT SAFETY.



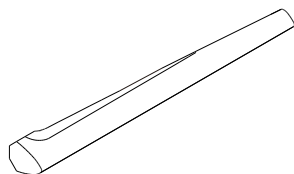
- IT IS ADVISED TO CONDUCT THIS ASSEMBLY WITH A MINIMUM OF 2 PERSONS.
- WHEN LIFTING THE TABLE, MAKE SURE THE TABLE IS IN UNEXTENDED POSITION.
- LIFT ONLY FROM THE APRON.

### PARTS TO ASSEMBLE



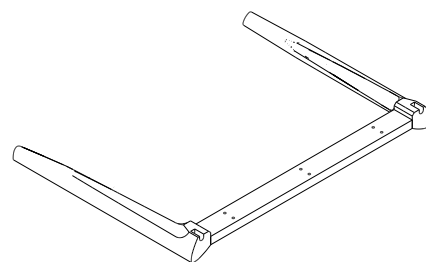
#### A TABLE TOP 1 piece

CODE	DESCRIPTION
<b>NATURAL OILED FINISH</b>	
P4968	TABLE TOP 120-180/90
P4648	TABLE TOP 140-220/90
P4649	TABLE TOP 160-240/90
P4650	TABLE TOP 180-280/100
P4884	TABLE TOP 200-300/100
<b>BLACK FINISH</b>	
P5081	TABLE TOP - BLACK 120-180/90
P4738	TABLE TOP - BLACK 140-220/90
P4739	TABLE TOP - BLACK 160-240/90
P4740	TABLE TOP - BLACK 180-280/100
P4753	TABLE TOP - BLACK 200-300/100
<b>BROWN FINISH</b>	
P5082	TABLE TOP - BROWN 120-180/90
P4989	TABLE TOP - BROWN 140-220/90
P4990	TABLE TOP - BROWN 160-240/90
P4991	TABLE TOP - BROWN 180-280/100
P4988	TABLE TOP - BROWN 200-300/100
<b>NATURAL VARNISHED FINISH</b>	
P5063	TABLE TOP - VARNISHED 120-180/90
P5064	TABLE TOP - VARNISHED 140-220/90
P5065	TABLE TOP - VARNISHED 160-240/90
P5066	TABLE TOP - VARNISHED 180-280/100
P5067	TABLE TOP - VARNISHED 200-300/100



#### C LEG 2 pieces

CODE	DESCRIPTION
<b>NATURAL OILED FINISH</b>	
P4651	LEG
<b>BLACK FINISH</b>	
P4691	LEG - BLACK
<b>BROWN FINISH</b>	
P4801	LEG - BROWN
<b>NATURAL VARNISHED FINISH</b>	
P5062	LEG - BROWN



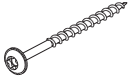
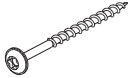


#### B LEG SET WITH APRON 1 piece

CODE	DESCRIPTION
<b>NATURAL OILED FINISH</b>	
P4512	LEG WITH APRON 90 DEPTH
P4515	LEG WITH APRON 100 DEPTH
<b>BLACK FINISH</b>	
P4742	LEG WITH APRON - BLACK 90 DEPTH
P4743	LEG WITH APRON - BLACK 100 DEPTH
<b>BROWN FINISH</b>	
P4992	LEG WITH APRON - BROWN 90 DEPTH
P4993	LEG WITH APRON - BROWN 100 DEPTH
<b>NATURAL VARNISHED FINISH</b>	
P5068	LEG WITH APRON - VARNISHED 90 DEPTH
P5069	LEG WITH APRON - VARNISHED 100 DEPTH

## BOK EXTENDABLE DINING TABLE ASSEMBLY INSTRUCTIONS FOR DINING TABLE INSTALLATION


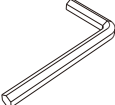


### HARDWARE ENCLOSED

 <p>H0689 SPAX SCREW M6x80 (4pcs)</p>	 <p>H0849 SPAX SCREW M6x120 (4pcs)</p>	 <p>H2069 SCREW M6x40 (6pcs)</p>	 <p>H0383 WASHER M8 (8pcs)</p>
--	---	---	---

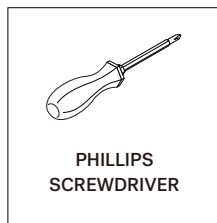
### TOOLS

(Included in package)

 <p>H0893 TORX KEY (1pc)</p>	 <p>H0745 ALLEN KEY (1pc)</p>
--	--

### TOOL

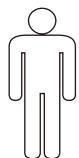
(Not included in package)



### SYMBOLS



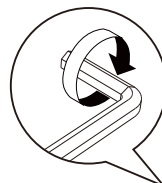
DIRECTION



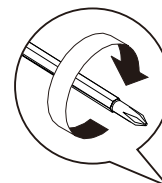
NUMBER OF  
PERSONS NEEDED



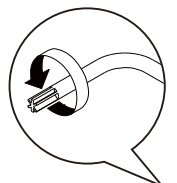
USE HAND



USE ALLEN KEY  
TO TIGHTEN



USE  
SCREWDRIVER

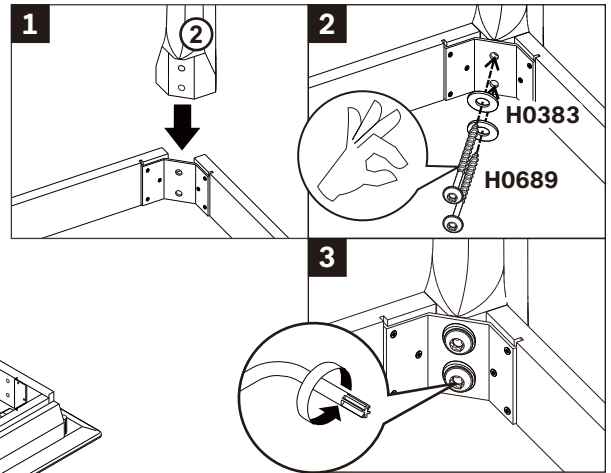
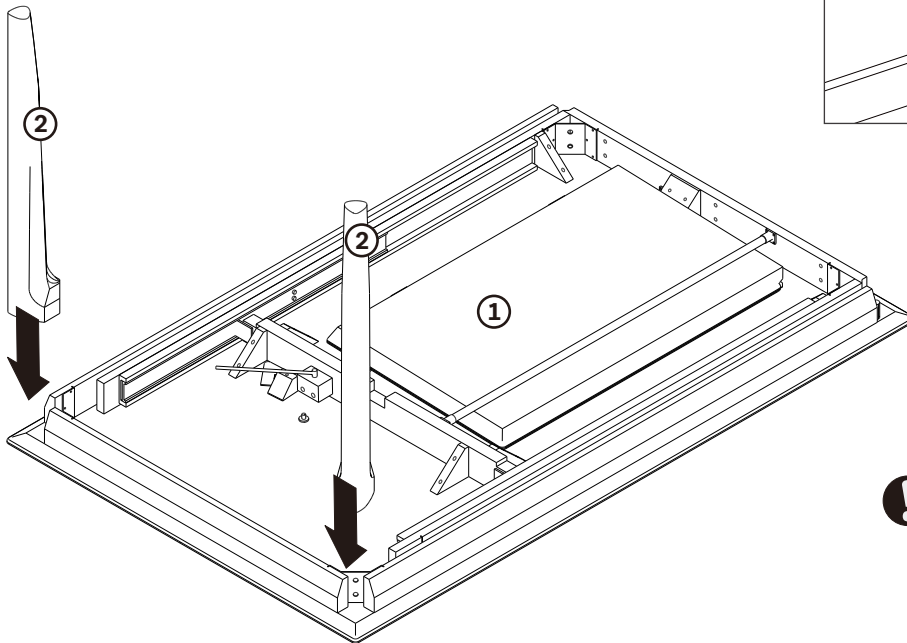


USE TORX KEY  
TO TIGHTEN

## BOK EXTENDABLE DINING TABLE ASSEMBLY INSTRUCTIONS FOR DINING TABLE INSTALLATION



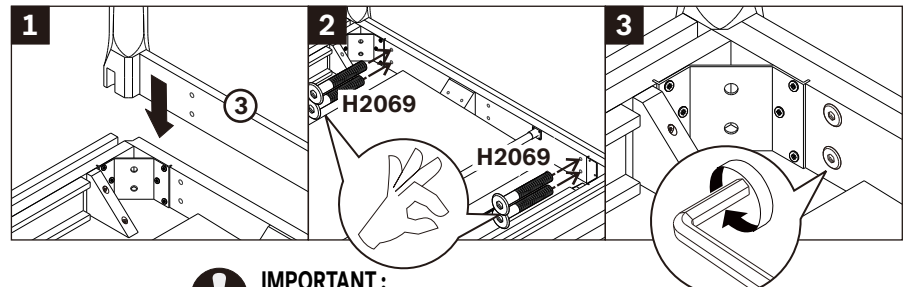
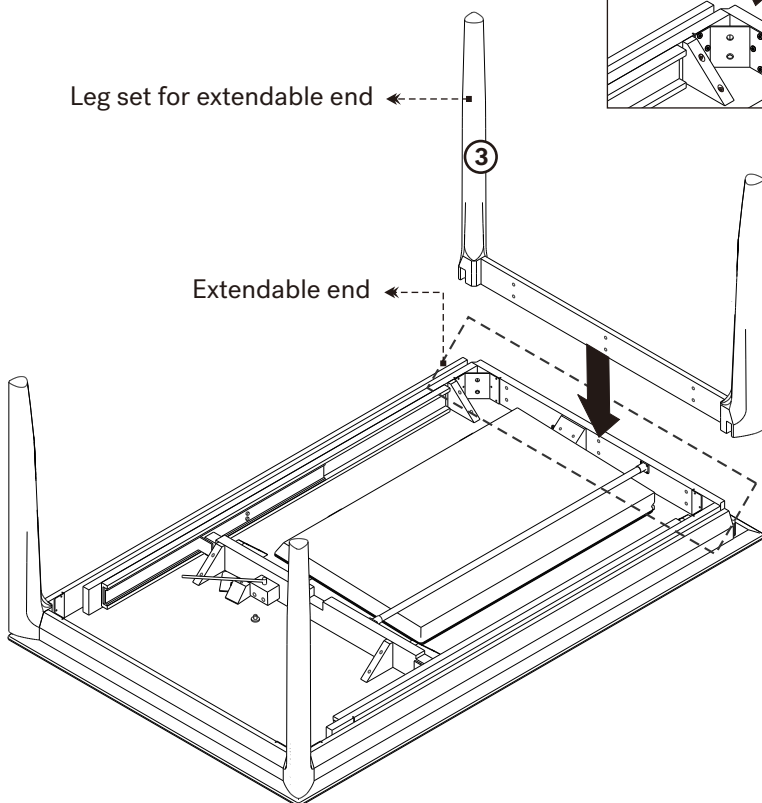
### A. INSTALLING LEGS TO TABLE TOP



**IMPORTANT :**

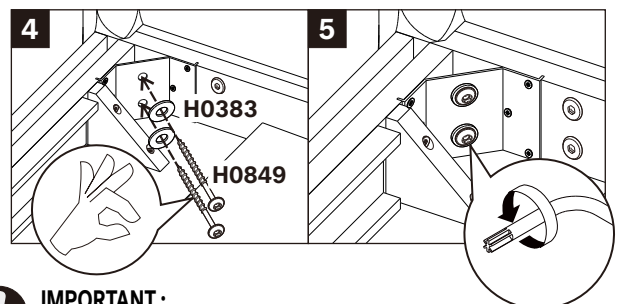
- USE WASHER M8
- USE SPAX SCREW M6x80 FOR THE FIXED LEGS
- TIGHTEN FULLY

### B. INSTALLING LEG SET TO TABLE TOP



**IMPORTANT :**

- INSTALL SCREWS M6x40 ON THE RIGHT & LEFT SIDE OF APRON FIRST
- MIDDLE SCREWS ON APRON ARE INSTALLED AFTER TABLE IS IN STANDING POSITION
- DO NOT FULLY TIGHTEN



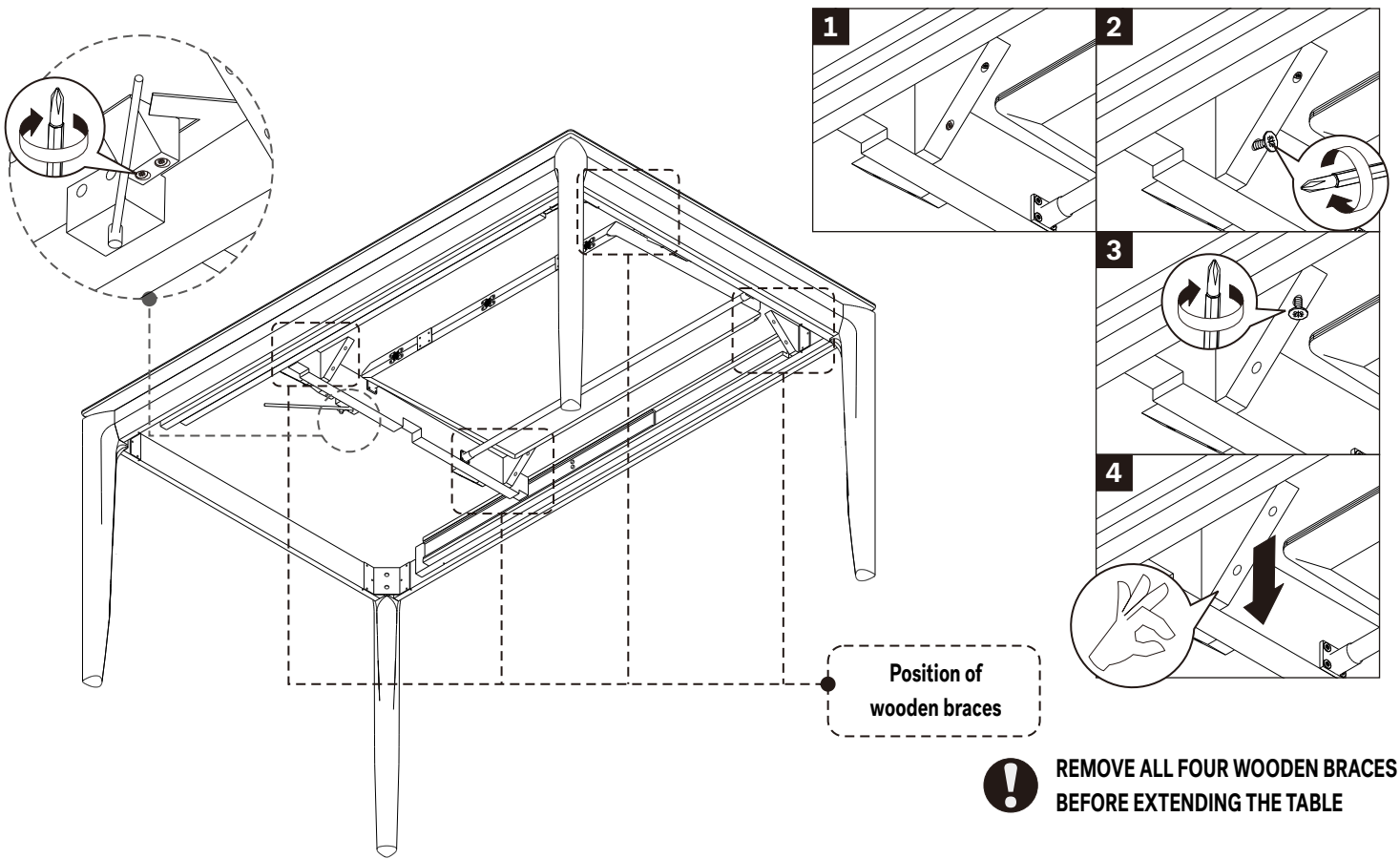
**IMPORTANT :**

- USE WASHER M8
- USE SPAX SCREW M6x120 FOR THE EXTENDABLE LEGS
- TIGHTEN FULLY ALL SCREWS

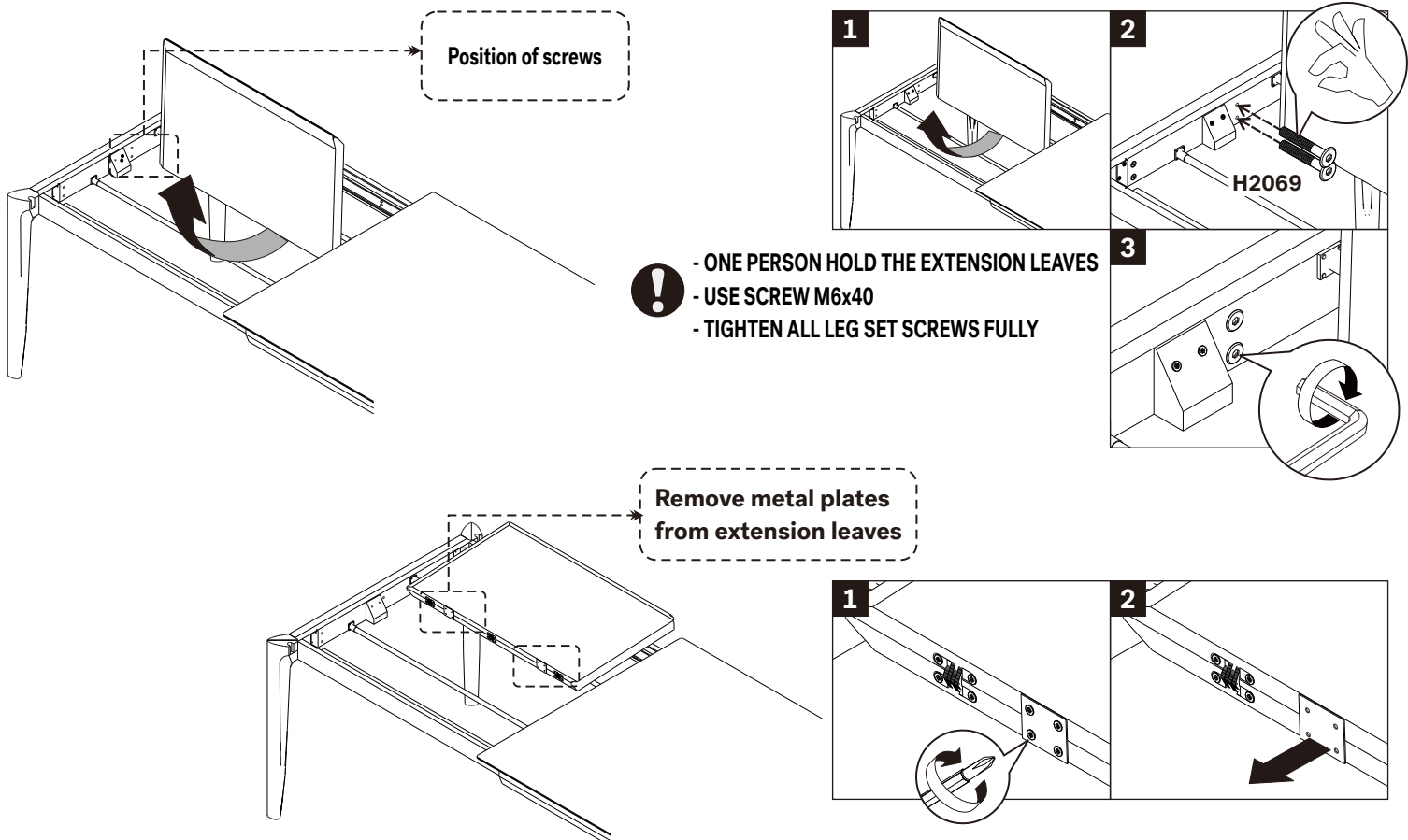
## BOK EXTENDABLE DINING TABLE ASSEMBLY INSTRUCTIONS FOR DINING TABLE INSTALLATION



### C. REMOVE WOODEN PACKAGING BRACES



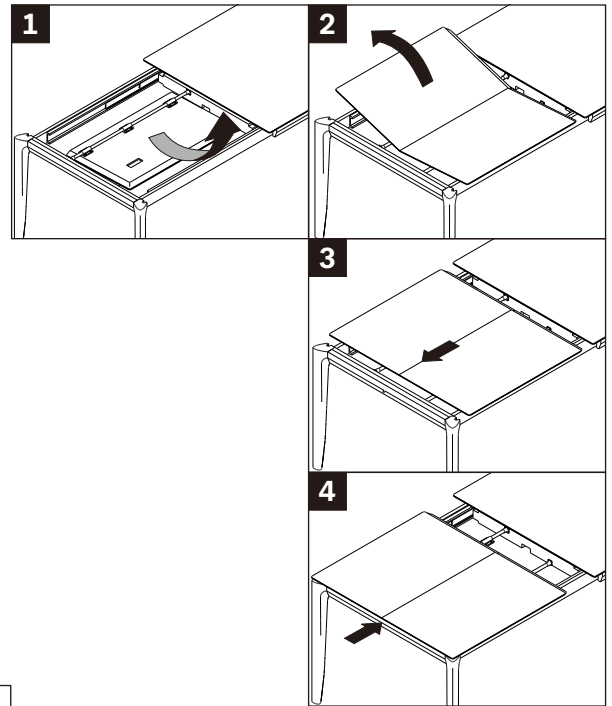
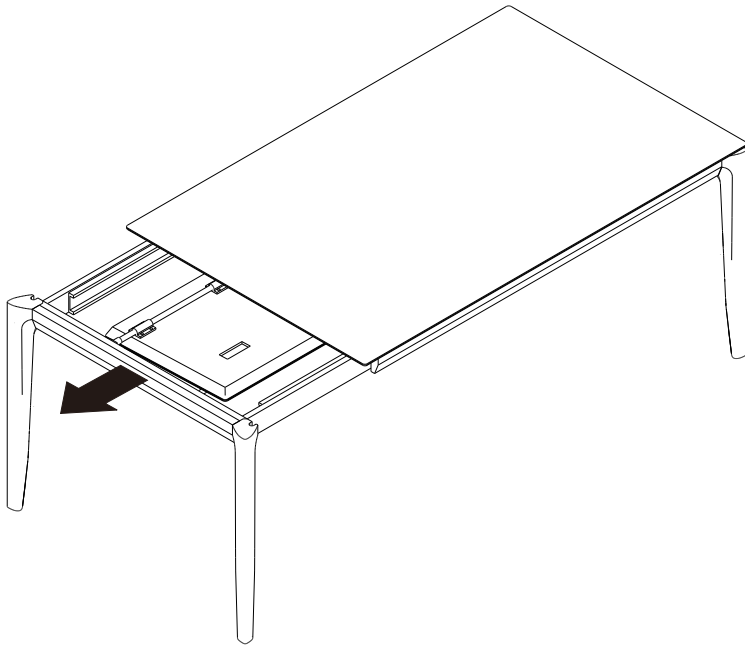
### D. INSTALLING CENTRAL SCREWS TO INSIDE OF LEG SET



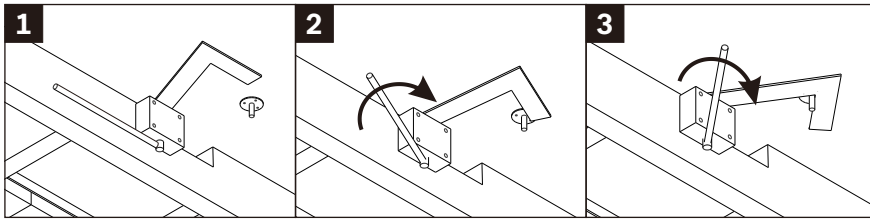
## BOK EXTENDABLE DINING TABLE ASSEMBLY INSTRUCTIONS FOR DINING TABLE INSTALLATION



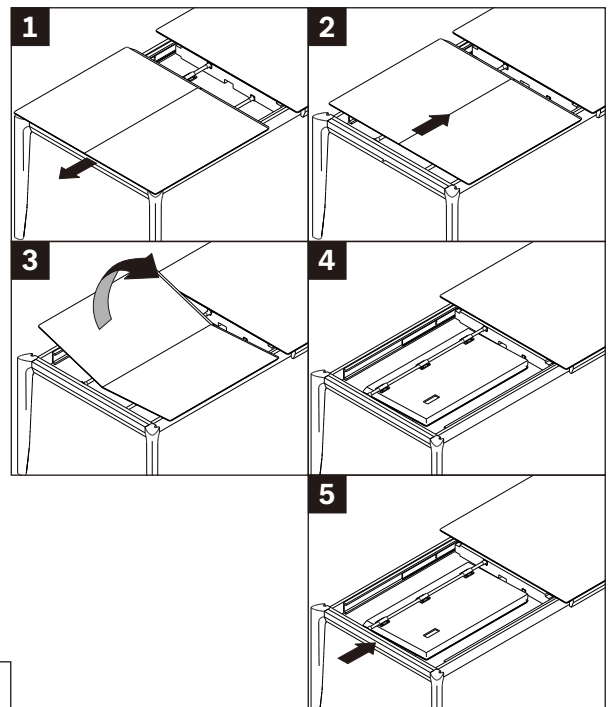
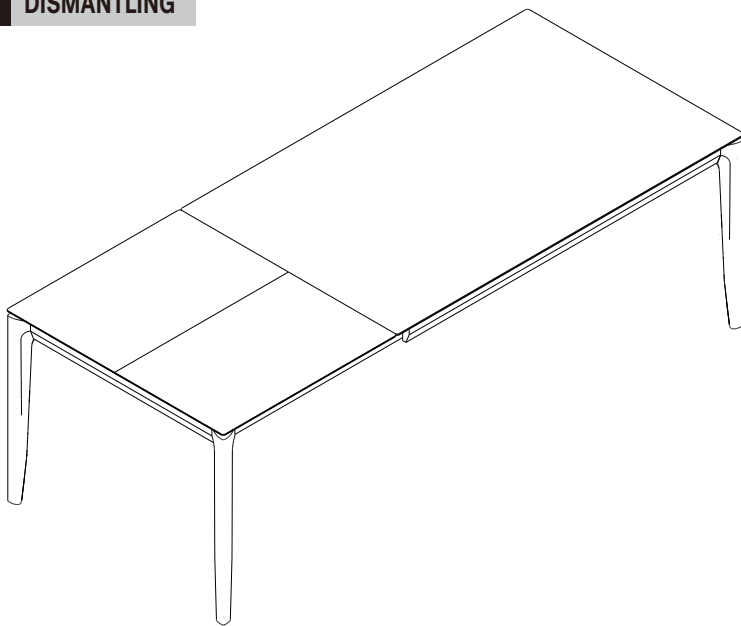
### E. EXTENDING



NOTE : AFTER EXTENDING, LOCK IN PLACE ON UNDERSIDE OF TABLE TOP



### F. DISMANTLING



NOTE : BEFORE DISMANTLING, UNLOCK ON UNDERSIDE OF TABLE

